

# 10/100 BASE-TX VoIP Magnetics Modules

## Features :

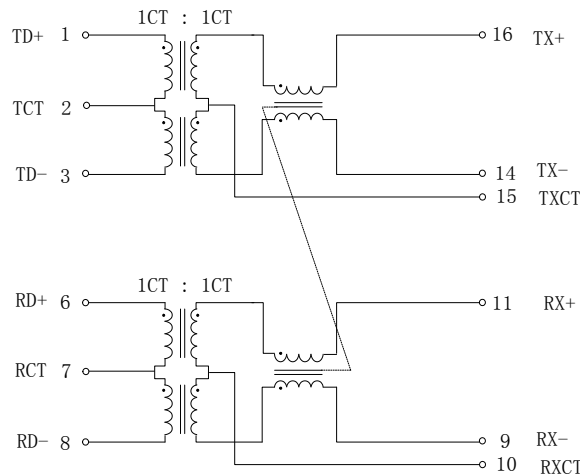
- 1) Meets IEEE 802.3af and ANSI X3.263 standards, including 350µH OCL with 8mA bias .
- 2) Low profile surface mount packaging designed for Hi-Temp reflow process (260°C peak).
- 3) Compact footprint for use in the most space-restrictive applications
- 4) storage temperature range: -40°C ~ +125°C
- 5) Support POE 350 mA current capability

## FW-32019SD

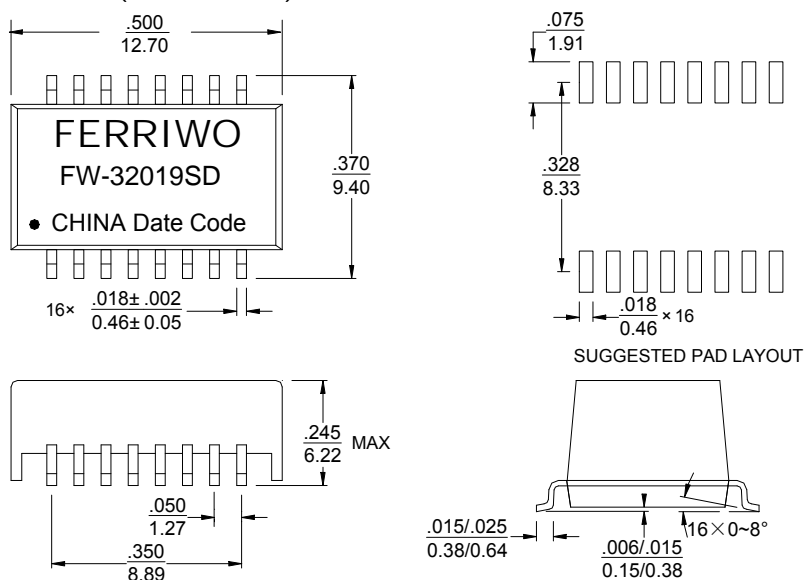
### A ) Electrical Specifications @ 25°C --- Operating temperature -0°C To 70°C .

| Insertion Loss (dB Max) | Return Loss (dB Min @ 100Ω) |       |       |       | Differential to Common Mode Rejection (dB Min) |       |       | Crosstalk (dB Min) |       |       | Hi-Pot (Vrms Min.) |
|-------------------------|-----------------------------|-------|-------|-------|--|-------|-------|--------------------|-------|-------|--------------------|
|                         | 1~100MHz                    | ~30MH | 40MHz | 50MHz | 50~80MHz                                       | 30MHz | 60MHz | 100MHz             | 30MHz | 60MHz |                    |
| -1.2                    | -16                         | -14   | -13   | -12   | -45  | -37   | -33   | -45                | -40   | -35   | 1500               |

### B ) Schematics



### C ) Mechanical Dimensions ( Unit: mm )



Unless otherwise specified, all tolerances are ±.010 / 0.25